

Norton®



5700

Series Low Energy Operator - LEO™



Complies with A.D.A. Accessibility Guidelines

An ASSA ABLOY Group company

ASSA ABLOY

CONTENTS

Norton's 5700 Series introduces a new generation of power door operators. Door operators were once considered a necessity only for those with physical challenges. Today, due to the population's busy lifestyles, the convenience of "hands-free" door opening is more popular than ever. The patented design of LEO™ is based on ease and simplicity. LEO installs in minutes rather than hours and consists of three major components: inverter, motor and Norton's 1601 closer body.

What separates LEO from other operators is its ability to function as a standard door closer. When the door is opened manually, there is little resistance and the drive train and motor are not engaged. The 1601 closer, not the motor, controls the closing cycle. Since the door closer does not back-drive the motor during the closing cycle, there is no loss of closer efficiency. In the event of a power outage, the door can be manually opened and will close via the door closer's spring force.

LEO is listed with UL and ANSI/BHMA A156.19 and meets the requirements of ADA and A156.4. LEO is ideal for doctors' offices, retirement facilities, schools, churches and any other locations where extra features are not required and noise may be a concern. LEO can be activated via wall switch, radio frequency device or motion sensor, and is available for push or pull side applications.

Based on its dual functionality, ease of use and quiet operation, LEO offers the customer a unique choice!



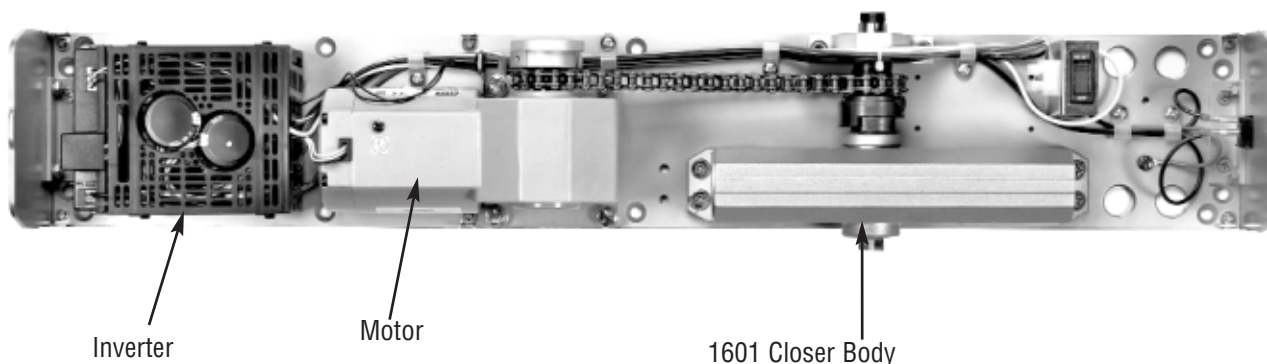
PATENT

- Patent 5,881,497
- Additional patent pending

TABLE OF CONTENTS

Introduction	2
Features & Functions	3
Electrical Data	3
Certifications	3
Standard Applications	4
How to Order	5
Accessories	6
Parts List	7
Technical Details	8
Specifications	9

OVERVIEW



- Ease of installation and setup
 - ❑ Simple instructions
- Application versatility and ease of adjustment
 - ❑ Push or pull side mounting units available
- Operates as mechanical surface closer during close cycles or when door is opened manually or if power is turned off
 - ❑ Quiet operation
 - ❑ Acceptable for fire-rated doors
 - ❑ Spring force provides the feel of a normal manual door closer
 - ❑ Door can be opened manually if desired
- Norton® 1600 series door closer
 - ❑ Adjustable Spring Power
 - ❑ Backcheck Valve
 - ❑ Sweep Valve & Latch Valve
- Non-Handed
- Unit Activation Options
 - ❑ Wall switches
 - ❑ Motion sensor
 - ❑ Radio frequency device
- End-User On/Off Switch
- Hold Open options
 - ❑ 0-30 seconds (5 seconds minimum required for ADA and ANSI A156.19)
- Obstruction Detection
 - ❑ Motor stops if door is obstructed during an opening
 - ❑ Door closes under manual spring force

FEATURES & FUNCTIONS

- Power Input; 120 VAC, 60Hz
- Current Draw; .6A
- Relay Output; DPDT
 - ❑ Normally Open/Normally Closed (jumper)

ELECTRICAL DATA

- C-UL US listed for use on fire and smoke barrier doors
- 1-year warranty (refer to current Norton® price book for terms & conditions)
- Meets requirements for Americans with Disabilities Act (ADA)
- Listed: ANSI/BHMA A156.19 (Low Energy Operators) and meets requirements of A156.4 (Door Closers)

CERTIFICATIONS

STANDARD APPLICATIONS

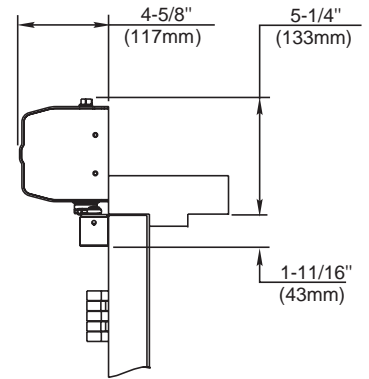
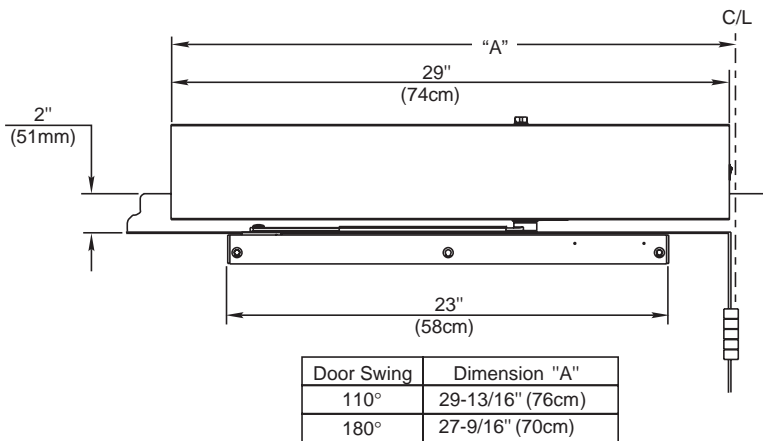


5710 HINGE (PULL) SIDE OF DOOR

- Adjustable Stop
- 180° swing (trim permitting)

Minimum Door width
Single Door - 29" (74cm)
Double Door - 30" (33cm)

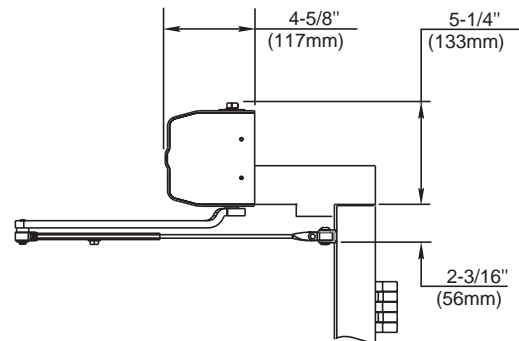
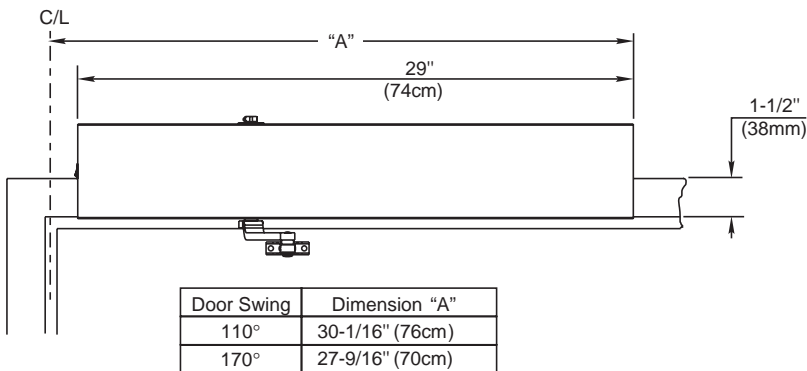
An auxiliary stop is suggested where severe conditions exist.



5730 STOP (PUSH) SIDE OF DOOR

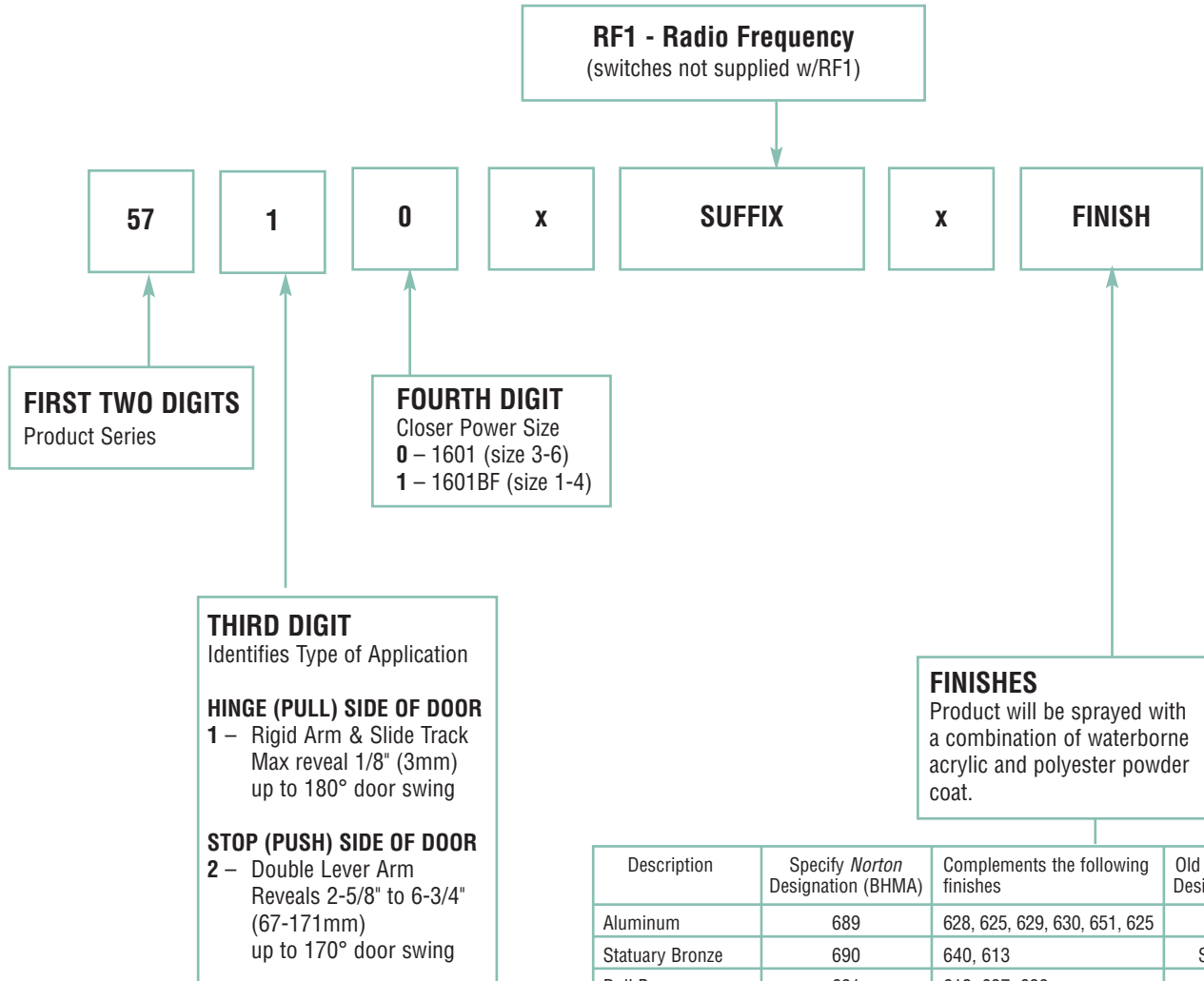
STANDARD DUTY DOUBLE LEVER ARM

- Frame reveals 2-5/8" to 6-3/4" (67-171mm)
- An auxiliary door stop is required for these applications.
- 170° swing (trim permitting)



NOTE: Contact factory for use on doors exceeding 250 lbs.

HOW TO ORDER



Description	Specify Norton Designation (BHMA)	Complements the following finishes	Old Norton Designation
Aluminum	689	628, 625, 629, 630, 651, 625	AL
Statuary Bronze	690	640, 613	STAT
Dull Bronze	691	612, 637, 639	DB
Black	693	315	315
Medium Amber	694	312	312
Gold	696	605, 606, 632, 633	GB
Prime Coat	600		SRI

* Special rust inhibitor (Beige) available at extra cost. Closers can be ordered prime coated only, i.e. (SRI) or prime coated with finish, i.e. SRI x 690. Finishes other than those listed above may be available on special order. Sample chips will be required.

Note: Door switches and sensors are not included with the 5700 Series Door Operators. These items must be ordered separately.

SIGNAGE

Supplied Standard



428 (2 per Operator)

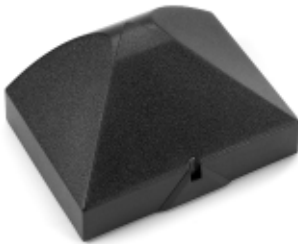


429 (1 per switch)



433 (1 per switch)

ACCESSORIES



Motion Sensor #663

- Unidirectional
- Black cover
- SPDT relay
- Adjustable angle pattern
- 24 VDC input
- Must not be placed where motion of door can be sensed.



Key FOB 572

- Used with RF1 and 571KIT



Door Switch 685

- 6" x 6" face plate
- 15amp @ 125 VAC
- Hard wired
- Flush or surface mounted
- SS with blue letters



Door Switch 575

- 6" x 6" face plate
- 15amp @ 125 VAC
- Hard wired
- Flush or surface mounted
- SS with blue letters



Door Switch 574

- 6" x 6" face plate
- 15amp @ 125 VAC
- RF (433MHz)
- Flush or surface mounted
- SS with blue letters



Door Switch 576

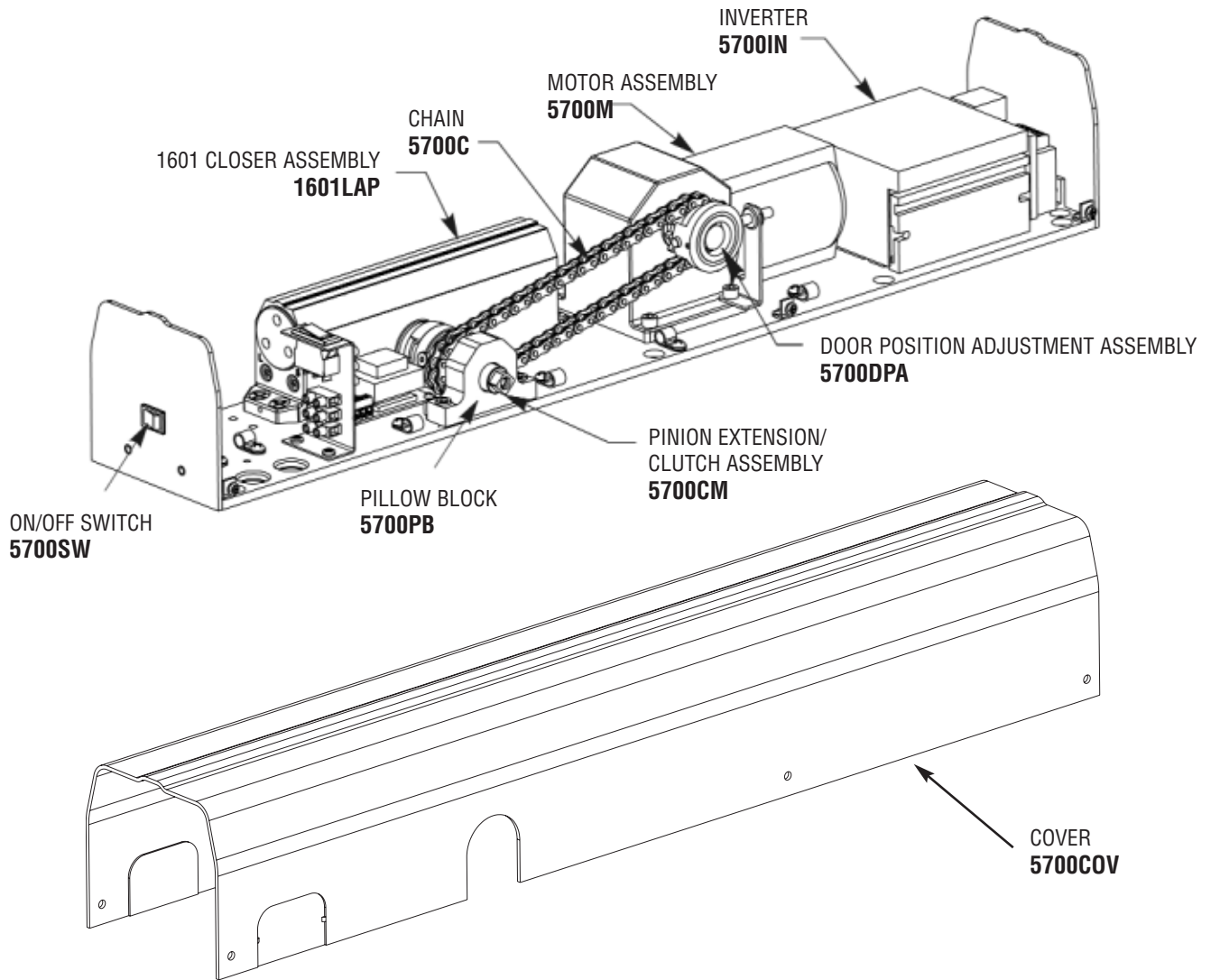
- 6" x 6" face plate
- 15amp @ 125 VAC
- RF (433MHz)
- Flush or surface mounted
- SS with blue letters



Radio Frequency Kit 571KIT

- Radio Frequency Receiver (433 MHz)
- 24 VDC power supply
- Activation switches not included.
- Order 572, 574 or 576 separately.

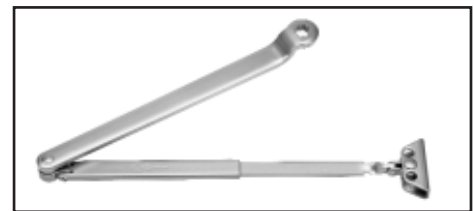
PARTS LIST



Arm and Track Assemblies

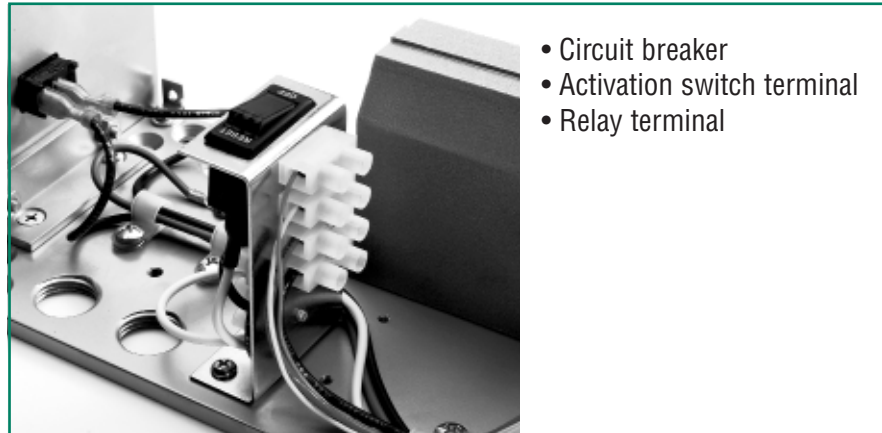


#5710-1 - Arm and Track Assembly
 #7701ST-1A - Arm Assembly
 #7200-1T - Track Assembly

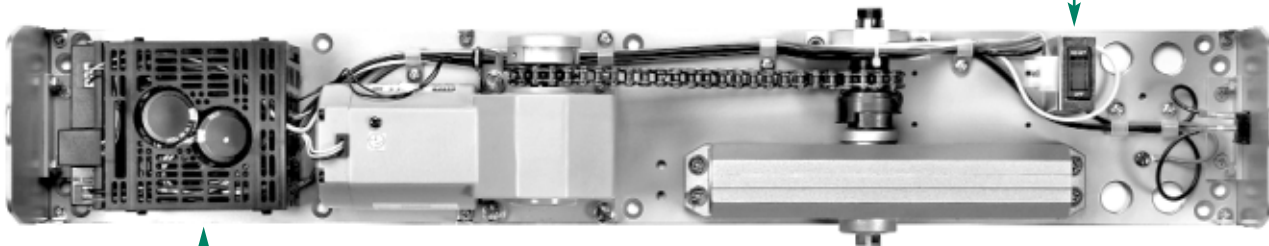


#7701-1 - Arm Assembly
 #7701-1W - Main Arm & Rod
 #7701-11A - Adjusting Tube & Shoe

TECHNICAL DETAILS



- Circuit breaker
- Activation switch terminal
- Relay terminal



POT	DESCRIPTION
CL	Obstruction Detection on Open
MAX	Door Open Speed
MIN	Motor Reversing Speed
DEC/B	Hold OpenTime (5-30 Seconds)
ACC	Door Mounting (Factory Set)
COMP	Motor Torque at Hold Open Position

* To be adjusted with trimpot tool supplied with unit

General Specifications

Door Controls ____ (interior) (exterior) swinging door(s) shall be of rack and pinion design contained within a precision cast aluminum housing. Door closing force shall be adjustable to insure adequate closing control. Door closing speed shall be controlled by independent hydraulic adjustment valves in the sweep and latch range of the closing cycle. Door Operator shall provide conventional door closer opening forces unless the power operator motor is activated. Door Operator shall provide conventional door closing forces at all times except in the event of power outage during powered door open cycle. Door Operator opening force and speed shall be adjustable by independent electronic adjustment to ensure adequate opening control per accessibility codes. Door Operator shall have an adjustable hydraulic backcheck valve to cushion the door speed if door is opened violently. Door Operator shall have a manual adjustment to locate both full open and door full closed positions. Maximum door open shall be adjustable and capable to a maximum 180° conditions permitting. [(Door Operator shall be AUTOMATICALLY ACTIVATED, i.e. motion sensor.) (Door Operator shall be SELECTIVELY ACTIVATED by external initiating device, i.e. wall switch etc.) (Door Operator shall be both AUTOMATICALLY ACTIVATED and SELECTIVELY ACTIVATED.)] Door operator shall have adjustable hold open time capability in range of 5 to 30 seconds. Door operator shall have input line rating of 120VAC, .6A. Units shall have relay contact for interfacing products having a rating of 30VDC at 1A or 125VAC at .5A. Unit shall have an external On/Off Switch to defeat powered opening when desired. Unit shall have an internal circuit breaker switch to interrupt input power for servicing. Unit shall be U.L. Listed for automatic closing door. Unit shall be in compliance with the requirements of the Americans With Disabilities Act (ADA) and ANSI standards A117.1 and A156.19. Unit shall meet C-UL US.

Additional Detailed Specifications:

When activated, the unit shall, by means of an integral motor and chain drive, power open the door open at both a speed and force that are adjustable to meet accessibility codes. The door shall be powered from a door closed position to a full door open position and remain in momentary hold open for ____seconds (adjustable 0 to 30 seconds) [(Unit shall power open door to full open position up to 180°, conditions permitting.) (Unit shall be capable of opening door manually from 0 to 180°, conditions permitting.)] Once unit reaches full hold open position, if reinitiated, unit's momentary hold open time shall restart from the initially set hold open time. If unit is initiated during the closing cycle, unit shall revert to opening cycle beginning at that door position. Obstruction detection on open shall neutralize and reverse motor action reverting motor to closed position thus allowing door to close under closer spring force only. This obstruction detection feature shall be integral to unit. During closing cycle, the unit shall close door under spring power not to exceed a closing force of 15 lbf.

NOTES

For a complete listing of products and applications please visit our web site.

www.nortondoорcontrols.com

www.yalecorbin.on.ca

Or contact us at:

Norton Door Controls

1902 Airport Road
Monroe, NC 28110
Telephone: 1.800.438.1951
Fax: 1.800.338.0965

Yale-Corbin Canada Ltd

6940 Edwards Boulevard
Mississauga, Ontario, Canada L5T 2W2
Telephone: 1.800.461.3007
Fax: 1.800.461.8989

Norton® and Yale Security Inc.® are registered trademarks of Yale Security Inc. These materials are protected under U.S. copyright laws. All contents current at time of publication. Yale Security Inc. reserves the right to change availability of any item in this catalog, its design, construction, and/or its materials. Other products brand names may be trademarks or registered trademarks of their respective owners and are mentioned for reference purposes only.

Copyright® 2004 Yale Security Inc All rights reserved.

The ASSA ABLOY Group is the world's leading manufacturer and supplier of locking solutions to satisfying end-user needs for security, safety and convenience.

Norton® closers...still proudly manufactured in the United States with more than 75% U.S. content.

Since 1880 • The American Original™ and LEO™ are trademarks of YSI.